

Remy

Quality

Value

Responsiveness

Heavy Duty Starters : Straight Drive



50 MT STARTER MOTOR

50MT Detailed Specifications:

Engine Capacity:

Diesel: up to 29.5 litres
up to 1800 cu. in.

System Voltage:

12, 24, 32, 64 Volts

Rotation:

Clockwise or Counterclockwise

Standard Mountings:

SAE #3

Standard Pinions:

11-tooth/6-8 pitch, 12-tooth/8-10 pitch,
13-tooth/8-10 pitch, 12-tooth/Module 3

Weight:

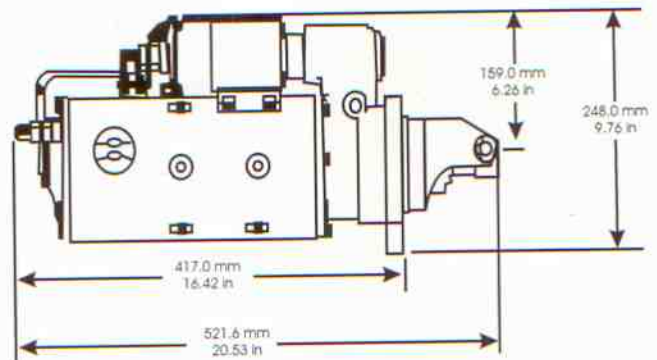
79 lbs (35.8 kg)

Rotatable Drive Housing:

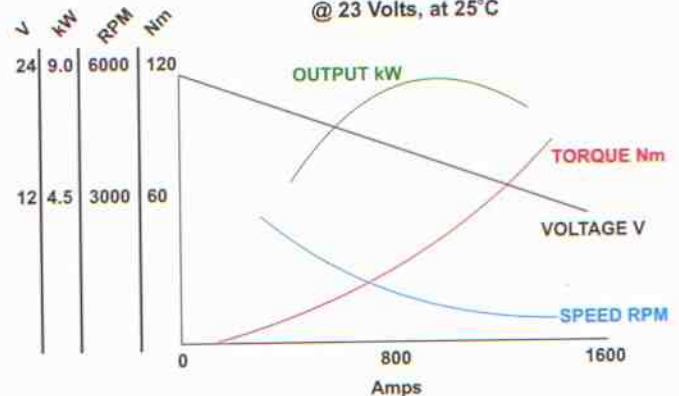
Two-piece rotatable drive housing
12 or 24 positions

Drive:

Heavy duty design
Positive engagement
Rubber shock absorber



50MT 24-Volt Performance Curves
@ 23 Volts, at 25°C



About Remy Electricals India Limited.,

Remy Electricals India Limited (REIL), earlier known as Delco Remy Electricals India Limited and formerly as Sahney Paris Rhone Ltd., was set up in 1979 with French Technology to manufacture Electrical products for Automotive Original Equipment Manufacturers. The Joint Venture with Remy International, formerly Delco Remy America (DRA), was in response to the growing need for world class expertise and technology in India.

Product Technology

Remy Electricals India Limited has complete access to Remy International technology and has their support in all areas of Design, Manufacturing Engineering, Quality Assurance, Product Evaluation and Validation. All products are manufactured as per Remy International Specifications and sold only after duly validated and approved by Remy International.

ISO/TS 16949-2002
CERTIFIED





Quality

Value

Responsiveness

Heavy Duty Starters : Straight Drive



42 MT STARTER MOTOR

42MT Detailed Specifications:

Engine Capacity:

Diesel : up to 14.8 litres
up to 900 cu. in.

System Voltage:

12 or 24 Volts

Rotation:

Clockwise or Counterclockwise

Standard Pinions:

11-tooth/6-8 pitch, 12-tooth/8-10 pitch,
13-tooth/8-10 pitch, 12-tooth/Module 3

Weight:

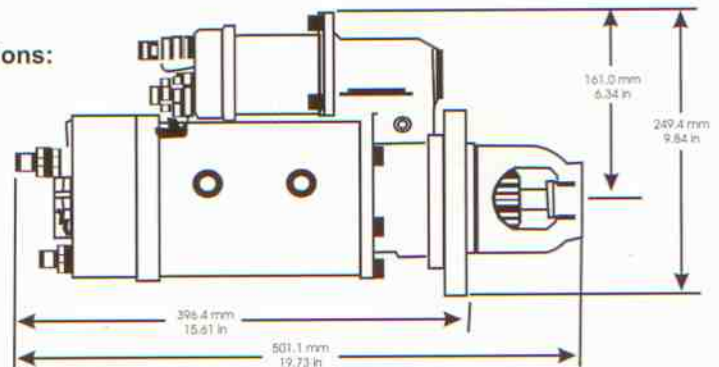
58 lbs (26.3 kg)

Rotatable Drive Housing:

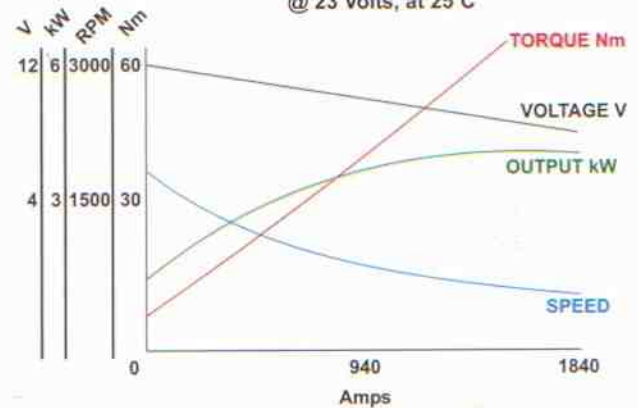
Two-piece rotatable drive housing
12 or 24 positions

Drive:

Heavy duty design
Positive engagement
Rubber shock absorber



42MT 12-Volt Performance Curves
@ 23 Volts, at 25°C



DETAILS

Model	System Voltage	Output	Engine Capacity
50MT	24 V	9 KW	upto 29.5 litres
42 MT	24 V	7.5 KW	upto 14.8 litres
42 MT	12 V	4.6 KW	upto 14.8 litres

For further details please contact

Remy Electricals India Limited

Thondamanatham Village
Villianur Commune, Pondicherry - 605 502
Ph: 0413 2678069, Fax : 0413 2677014
email : admn-pdy@remyindia.com / website : www.remyindia.com