

APPENDIX F—HYDRAULIC SCHEMATICS

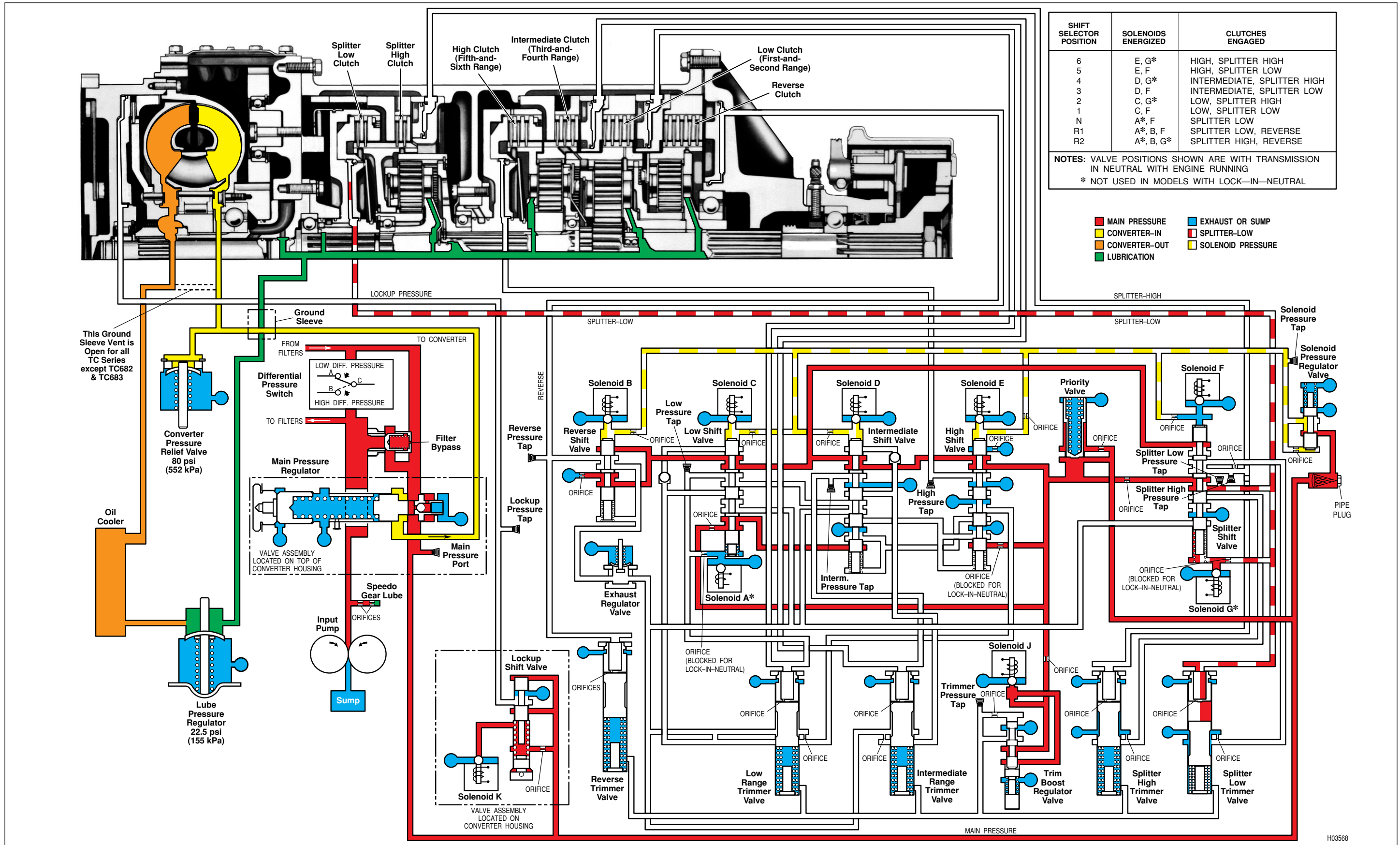


Figure F-1. 5610, 6610 Models—Hydraulic Schematic